

- 1
- 2
- 3
- 4
- 5
- 6
- 7
- 8
- 9
- 10
- 11
- 12
- 13
- 14
- 15
- 16
- 17
- 18

**LEVER BODY**

Die-cast zinc alloy, epoxy resin coating, black colour, matte finish.

**STANDARD EXECUTIONS**

AISI 303 stainless steel clamping element with retaining screw.

AISI 302 stainless steel return spring.

- Threaded hole.
- Threaded screw, length as shown in the table.

**FEATURES AND APPLICATIONS**

The horizontal position of the GN 302.1 adjustable handle lever offers a more compact design. Particularly suitable for applications where lack of space reduces the field of action.

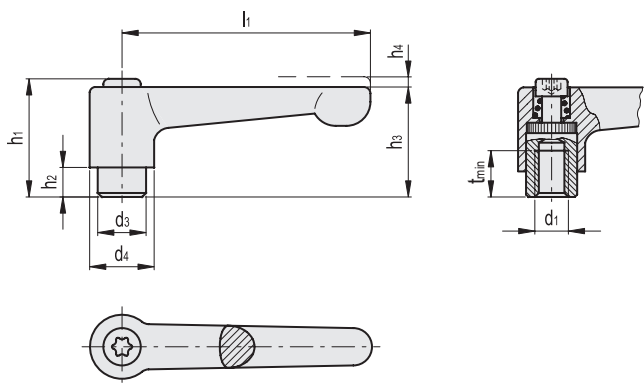
**SPECIAL EXECUTIONS ON REQUEST**

- Lever body in different colours.
- Chrome-plated lever
- Clamping element with different threadings.

**INSTRUCTIONS OF USE**

For clamping, lift the lever to disengage the clamping device teeth and bring it back to start position. By releasing the lever, the return spring automatically engages the teeth.

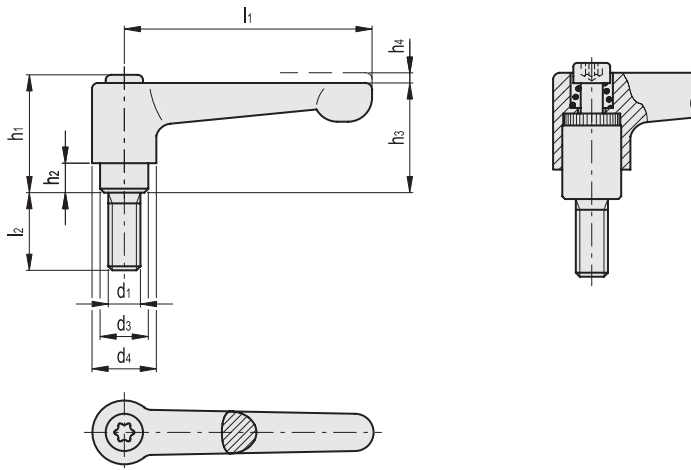
If the lever cannot make a 360° rotation, the clamping element can be easily screwed by means of the hexagon socket front head screw (after having disengaged the lever).



Conversion Table	
1 mm = 0,039 inch	
l1	
mm	inch
22	0.87
30	1.18
45	1.77
63	2.48
78	3.07

Code	Description	l1	d1	d3	d4	h1	h2	h3	h4	tmin	⚖️
GN.16971	GN 302.1-22-M3-SW	22	M3	8	10.5	18.5	2	16.5	3	5	14
GN.16978	GN 302.1-22-M4-SW	22	M4	8	10.5	18.5	2	16.5	3	5	14
GN.16985	GN 302.1-22-M5-SW	22	M5	8	10.5	18.5	2	16.5	3	5	14
GN.16992	GN 302.1-30-M4-SW	30	M4	10	13	24.5	4	22	3.5	9	26
GN.16999	GN 302.1-30-M5-SW	30	M5	10	13	24.5	4	22	3.5	9	24
GN.17007	GN 302.1-30-M6-SW	30	M6	10	13	24.5	4	22	3.5	9	25
GN.17016	GN 302.1-45-M4-SW	45	M4	10	13	24.5	4	22	3.5	9	33
GN.17023	GN 302.1-45-M5-SW	45	M5	10	13	24.5	4	22	3.5	9	31
GN.17032	GN 302.1-45-M6-SW	45	M6	10	13	24.5	4	22	3.5	9	32
GN.17041	GN 302.1-63-M6-SW	63	M6	13.5	17.5	31	6.5	28.5	4	11	74
GN.17050	GN 302.1-63-M8-SW	63	M8	13.5	17.5	31	6.5	28.5	4	11	59
GN.17059	GN 302.1-78-M8-SW	78	M8	16	21	36	8	34	4	14	125
GN.17068	GN 302.1-78-M10-SW	78	M10	16	21	36	8	34	4	14	125
GN.17077	GN 302.1-78-M12-SW	78	M12	16	21	36	8	34	4	14	125

Clamping handles



Conversion Table	
1 mm = 0.039 inch	
mm	inch
22	0.87
30	1.18
45	1.77
63	2.48
78	3.07

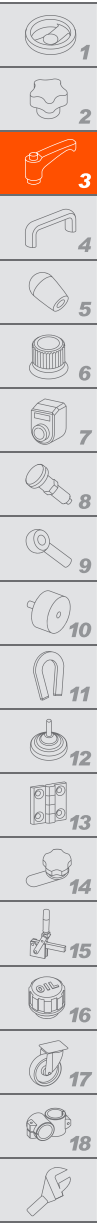
INOX STAINLESS STEEL METRIC

Code	Description	l1	d1	d3	d4	h1	h2	h3	h4	l2	⚖
GN.16972	GN 302.1-22-M3-6-SW	22	M3	8	10.5	18.5	2	16.5	3	6	15
GN.16973	GN 302.1-22-M3-8-SW	22	M3	8	10.5	18.5	2	16.5	3	8	14
GN.16974	GN 302.1-22-M3-10-SW	22	M3	8	10.5	18.5	2	16.5	3	10	15
GN.16975	GN 302.1-22-M3-12-SW	22	M3	8	10.5	18.5	2	16.5	3	12	15
GN.16976	GN 302.1-22-M3-16-SW	22	M3	8	10.5	18.5	2	16.5	3	16	15
GN.16979	GN 302.1-22-M4-12-SW	22	M4	8	10.5	18.5	2	16.5	3	12	15
GN.16980	GN 302.1-22-M4-16-SW	22	M4	8	10.5	18.5	2	16.5	3	16	16
GN.16981	GN 302.1-22-M4-20-SW	22	M4	8	10.5	18.5	2	16.5	3	20	16
GN.16982	GN 302.1-22-M4-25-SW	22	M4	8	10.5	18.5	2	16.5	3	25	16
GN.16983	GN 302.1-22-M4-32-SW	22	M4	8	10.5	18.5	2	16.5	3	32	17
GN.16986	GN 302.1-22-M5-12-SW	22	M5	8	10.5	18.5	2	16.5	3	12	16
GN.16987	GN 302.1-22-M5-16-SW	22	M5	8	10.5	18.5	2	16.5	3	16	16
GN.16988	GN 302.1-22-M5-20-SW	22	M5	8	10.5	18.5	2	16.5	3	20	17
GN.16989	GN 302.1-22-M5-25-SW	22	M5	8	10.5	18.5	2	16.5	3	25	15
GN.16990	GN 302.1-22-M5-32-SW	22	M5	8	10.5	18.5	2	16.5	3	32	18
GN.16993	GN 302.1-30-M4-12-SW	30	M4	10	13	24.5	4	22	3.5	12	27
GN.16994	GN 302.1-30-M4-16-SW	30	M4	10	13	24.5	4	22	3.5	16	27
GN.16995	GN 302.1-30-M4-20-SW	30	M4	10	13	24.5	4	22	3.5	20	27
GN.16996	GN 302.1-30-M4-25-SW	30	M4	10	13	24.5	4	22	3.5	25	28
GN.16997	GN 302.1-30-M4-32-SW	30	M4	10	13	24.5	4	22	3.5	32	28
GN.17000	GN 302.1-30-M5-12-SW	30	M5	10	13	24.5	4	22	3.5	12	27
GN.17001	GN 302.1-30-M5-16-SW	30	M5	10	13	24.5	4	22	3.5	16	28
GN.17002	GN 302.1-30-M5-20-SW	30	M5	10	13	24.5	4	22	3.5	20	28
GN.17003	GN 302.1-30-M5-25-SW	30	M5	10	13	24.5	4	22	3.5	25	29
GN.17004	GN 302.1-30-M5-32-SW	30	M5	10	13	24.5	4	22	3.5	32	30
GN.17005	GN 302.1-30-M5-40-SW	30	M5	10	13	24.5	4	22	3.5	40	31
GN.17006	GN 302.1-30-M5-50-SW	30	M5	10	13	24.5	4	22	3.5	50	28
GN.17008	GN 302.1-30-M6-12-SW	30	M6	10	13	24.5	4	22	3.5	12	28
GN.17009	GN 302.1-30-M6-16-SW	30	M6	10	13	24.5	4	22	3.5	16	29
GN.17010	GN 302.1-30-M6-20-SW	30	M6	10	13	24.5	4	22	3.5	20	29
GN.17011	GN 302.1-30-M6-25-SW	30	M6	10	13	24.5	4	22	3.5	25	30
GN.17012	GN 302.1-30-M6-32-SW	30	M6	10	13	24.5	4	22	3.5	32	28
GN.17013	GN 302.1-30-M6-40-SW	30	M6	10	13	24.5	4	22	3.5	40	33
GN.17014	GN 302.1-30-M6-50-SW	30	M6	10	13	24.5	4	22	3.5	50	34



Clamping handles

INOX STAINLESS STEEL METRIC



Code	Description	l1	d1	d3	d4	h1	h2	h3	h4	l2	⚖️
GN.17017	GN 302.1-45-M4-12-SW	45	M4	10	13	24.5	4	22	3.5	12	34
GN.17018	GN 302.1-45-M4-16-SW	45	M4	10	13	24.5	4	22	3.5	16	34
GN.17019	GN 302.1-45-M4-20-SW	45	M4	10	13	24.5	4	22	3.5	20	34
GN.17020	GN 302.1-45-M4-25-SW	45	M4	10	13	24.5	4	22	3.5	25	35
GN.17021	GN 302.1-45-M4-32-SW	45	M4	10	13	24.5	4	22	3.5	32	35
GN.17024	GN 302.1-45-M5-12-SW	45	M5	10	13	24.5	4	22	3.5	12	34
GN.17025	GN 302.1-45-M5-16-SW	45	M5	10	13	24.5	4	22	3.5	16	35
GN.17026	GN 302.1-45-M5-20-SW	45	M5	10	13	24.5	4	22	3.5	20	35
GN.17027	GN 302.1-45-M5-25-SW	45	M5	10	13	24.5	4	22	3.5	25	36
GN.17028	GN 302.1-45-M5-32-SW	45	M5	10	13	24.5	4	22	3.5	32	37
GN.17029	GN 302.1-45-M5-40-SW	45	M5	10	13	24.5	4	22	3.5	40	38
GN.17030	GN 302.1-45-M5-50-SW	45	M5	10	13	24.5	4	22	3.5	50	39
GN.17033	GN 302.1-45-M6-12-SW	45	M6	10	13	24.5	4	22	3.5	12	35
GN.17034	GN 302.1-45-M6-16-SW	45	M6	10	13	24.5	4	22	3.5	16	36
GN.17035	GN 302.1-45-M6-20-SW	45	M6	10	13	24.5	4	22	3.5	20	36
GN.17036	GN 302.1-45-M6-25-SW	45	M6	10	13	24.5	4	22	3.5	25	37
GN.17037	GN 302.1-45-M6-32-SW	45	M6	10	13	24.5	4	22	3.5	32	38
GN.17038	GN 302.1-45-M6-40-SW	45	M6	10	13	24.5	4	22	3.5	40	40
GN.17039	GN 302.1-45-M6-50-SW	45	M6	10	13	24.5	4	22	3.5	50	41
GN.17042	GN 302.1-63-M6-16-SW	63	M6	13.5	17.5	31	6.5	28.5	4	16	78
GN.17043	GN 302.1-63-M6-20-SW	63	M6	13.5	17.5	31	6.5	28.5	4	20	79
GN.17044	GN 302.1-63-M6-25-SW	63	M6	13.5	17.5	31	6.5	28.5	4	25	80
GN.17045	GN 302.1-63-M6-32-SW	63	M6	13.5	17.5	31	6.5	28.5	4	32	81
GN.17046	GN 302.1-63-M6-40-SW	63	M6	13.5	17.5	31	6.5	28.5	4	40	83
GN.17047	GN 302.1-63-M6-50-SW	63	M6	13.5	17.5	31	6.5	28.5	4	50	84
GN.17048	GN 302.1-63-M6-63-SW	63	M6	13.5	17.5	31	6.5	28.5	4	63	86
GN.17051	GN 302.1-63-M8-16-SW	63	M8	13.5	17.5	31	6.5	28.5	4	16	81
GN.17052	GN 302.1-63-M8-20-SW	63	M8	13.5	17.5	31	6.5	28.5	4	20	82
GN.17053	GN 302.1-63-M8-25-SW	63	M8	13.5	17.5	31	6.5	28.5	4	25	84
GN.17054	GN 302.1-63-M8-32-SW	63	M8	13.5	17.5	31	6.5	28.5	4	32	86
GN.17055	GN 302.1-63-M8-40-SW	63	M8	13.5	17.5	31	6.5	28.5	4	40	88
GN.17056	GN 302.1-63-M8-50-SW	63	M8	13.5	17.5	31	6.5	28.5	4	50	92
GN.17057	GN 302.1-63-M8-63-SW	63	M8	13.5	17.5	31	6.5	28.5	4	63	96
GN.17060	GN 302.1-78-M8-20-SW	78	M8	16	21	36	8	34	4	20	136
GN.17061	GN 302.1-78-M8-25-SW	78	M8	16	21	36	8	34	4	25	138
GN.17062	GN 302.1-78-M8-32-SW	78	M8	16	21	36	8	34	4	32	140
GN.17063	GN 302.1-78-M8-40-SW	78	M8	16	21	36	8	34	4	40	143
GN.17064	GN 302.1-78-M8-50-SW	78	M8	16	21	36	8	34	4	50	146
GN.17065	GN 302.1-78-M8-63-SW	78	M8	16	21	36	8	34	4	63	149
GN.17066	GN 302.1-78-M8-80-SW	78	M8	16	21	36	8	34	4	80	155
GN.17069	GN 302.1-78-M10-20-SW	78	M10	16	21	36	8	34	4	20	140
GN.17070	GN 302.1-78-M10-25-SW	78	M10	16	21	36	8	34	4	25	142
GN.17071	GN 302.1-78-M10-32-SW	78	M10	16	21	36	8	34	4	32	145
GN.17072	GN 302.1-78-M10-40-SW	78	M10	16	21	36	8	34	4	40	150
GN.17073	GN 302.1-78-M10-50-SW	78	M10	16	21	36	8	34	4	50	155
GN.17074	GN 302.1-78-M10-63-SW	78	M10	16	21	36	8	34	4	63	162
GN.17075	GN 302.1-78-M10-80-SW	78	M10	16	21	36	8	34	4	80	169
GN.17078	GN 302.1-78-M12-20-SW	78	M12	16	21	36	8	34	4	20	144
GN.17079	GN 302.1-78-M12-25-SW	78	M12	16	21	36	8	34	4	25	143
GN.17080	GN 302.1-78-M12-32-SW	78	M12	16	21	36	8	34	4	32	153
GN.17081	GN 302.1-78-M12-40-SW	78	M12	16	21	36	8	34	4	40	159
GN.17082	GN 302.1-78-M12-50-SW	78	M12	16	21	36	8	34	4	50	167
GN.17083	GN 302.1-78-M12-63-SW	78	M12	16	21	36	8	34	4	63	175
GN.17084	GN 302.1-78-M12-80-SW	78	M12	16	21	36	8	34	4	80	187

Clamping handles